

Sail	Luff	Leach	Foot	Area
Mainsail	29' 6" 9000	30' 6" 9300	11' 6" 3500	243sq.ft 22.5sq.m.
Blade Jib	27' 8" 8445	24' 6" 7475	9' 9" 2960	122sq.ft 11.3sq.m.
Asymmetric Spinnaker	33' 2" 10100	26' 11" 8200	20' 8" 6300	570sq.ft 53sq.m.
Screacher	30' 10" 9400	24' 6" 7475	15' 5" LP 4700	243sq.ft 22.5sq.m.

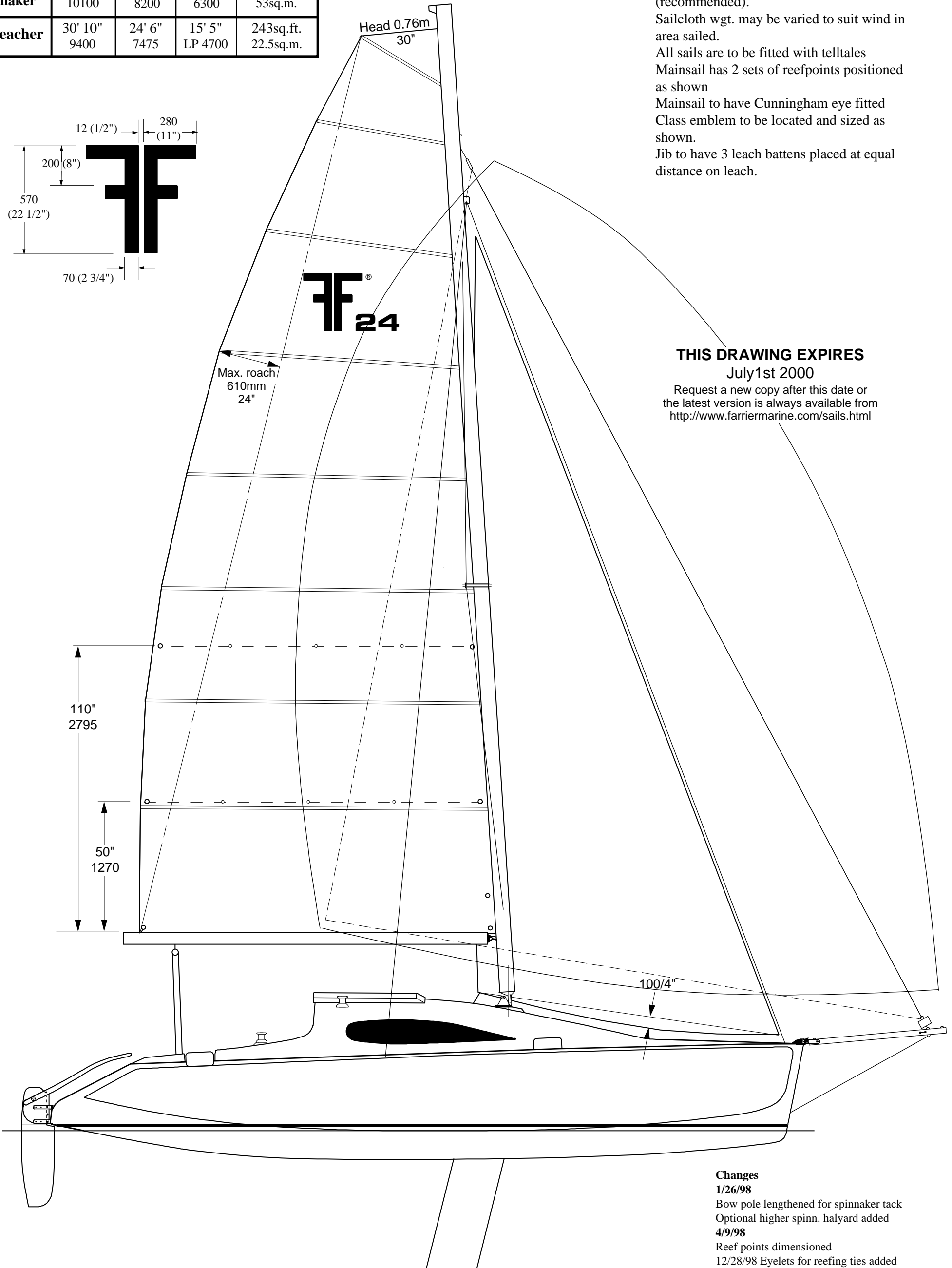
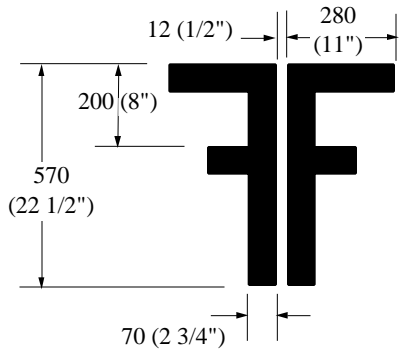
Mainsail Bolt Rope to be 8oz Teflon Tape or similar over 3/8" solid braided line.

Copyright Reserved
© 1994 by Ian Farrier

Mast to be Rotating

NOTES:

Mylar may be used for all sails (recommended).
Sailcloth wgt. may be varied to suit wind in area sailed.
All sails are to be fitted with telltales
Mainsail has 2 sets of reefpoints positioned as shown
Mainsail to have Cunningham eye fitted
Class emblem to be located and sized as shown.
Jib to have 3 leach battens placed at equal distance on leach.



THIS DRAWING EXPIRES
July 1st 2000

Request a new copy after this date or the latest version is always available from <http://www.farriermarine.com/sails.html>

Changes

- 1/26/98**
Bow pole lengthened for spinnaker tack
Optional higher spinn. halyard added
- 4/9/98**
Reef points dimensioned
12/28/98 Eyelets for reefing ties added
Bolt rope size and type emphasized

Revised December 28, 1998

F-24 Mk II SAIL PLAN

Scale 1 : 36

FARRIER MARINE
P.O. Box 40675, Bellevue, WA 98015,